

Electric Capacitive Type

Electric capacitive type proximity sensor

■ Features

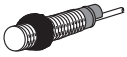
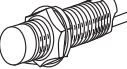
- Able to detect iron, metal, plastic, water, stone, wood etc
- Long life cycle and High reliability
- Reverse power polarity, surge, overcurrent protection
- Easy to adjust of the sensing distance with sensitivity adjuster
- Red LED status indication
- Easy to control of level and position



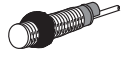

⚠ Please read "Caution for your safety" in operation manual before using.

■ Type

◎ DC 3-wire type

| Appearances | Model |
|---|--------------|
| M18  | CR18-8DN |
| | CR18-8DP |
| | CR18-8DN2 * |
| M30  | CR30-15DN |
| | CR30-15DP |
| | CR30-15DN2 * |

◎ AC 2-wire type

| Appearances | Model |
|---|-----------|
| M18  | CR18-8AO |
| | CR18-8AC |
| M30  | CR30-15AO |
| | CR30-15AC |

▶ "*" mark can be customized.

■ Specifications

| Model | CR18-8DN CR18-8DP CR18-8DN2 | CR30-15DN CR30-15DP CR30-15DN2 | CR18-8AO CR18-8AC | CR30-15AO CR30-15AC |
|----------------------------------|---|--------------------------------------|---------------------------|------------------------|
| Sensing distance | 8mm ±10% | 15mm ±10% | 8mm ±10% | 15mm ±10% |
| Hysteresis | Max. 20% of sensing distance | | | |
| Standard sensing target | 50×50×1mm (Iron) | | | |
| Setting distance | 0 ~ 5.6mm | 0 ~ 10.5mm | 0 ~ 5.6mm | 0 ~ 10.5mm |
| Power supply (Operating voltage) | 12-24VDC (10-30VDC) | | 100-240VAC (85-264VAC) | |
| Current consumption | Max. 15mA | | — | |
| Leakage consumption | — | | Max. 2.2mA | |
| Response frequency(*1) | 50Hz | | 20Hz | |
| Residual voltage | Max. 1.5V | | Max. 20V | |
| Affection by Temp. | ±10% Max. for sensing distance at +20°C within temperature range of -25 ~ +70°C | | | |
| Control output | Max. 200mA | | Max. 5 ~ 200mA | |
| Insulation resistance | Min. 50MΩ (at 500VDC mega) | | | |
| Dielectric strength | 1500VAC 50/60Hz for 1 minute | | | |
| Vibration | 1mm amplitude at frequency of 10 ~ 55Hz in each of X, Y, Z directions for 2 hours | | | |
| Shock | 500m/s ² (50G) in X, Y, Z direction for 3 times | | | |
| Indicator | Operation indicator (Red LED) | | | |
| Ambient temperature | -25 ~ +70°C (at non-freezing status) | | | |
| Storage temperature | -30 ~ +80°C (at non-freezing status) | | | |
| Ambient humidity | 35 ~ 95%RH | | | |
| Protection circuit | Surge protection circuit, Reverse polarity protection | | Surge protection circuit | |
| Protection | IP66 (IEC standard) | IP65 (IEC standard) | IP66 (IEC standard) | IP65 (IEC standard) |
| Cable | ∅4×3P, 2m | | ∅4×2P, 2m | |
| Unit weight | Approx. 72g | Approx. 212g | Approx. 63g | Approx. 220g |

*(*1) The response frequency is the average value. The standard sensing target is used and the width is set as 2 times of the standard sensing target, 1/2 of the sensing distance for the distance.

(A) Counter

(B) Timer

(C) Temp. controller

(D) Power controller

(E) Panel meter

(F) Tacho/Speed/Pulse meter

(G) Display unit

(H) Sensor controller

(I) Switching power supply

(J) Proximity sensor

(K) Photo electric sensor

(L) Pressure sensor

(M) Rotary encoder

(N) Stepping motor & Driver & Controller

(O) Graphic panel

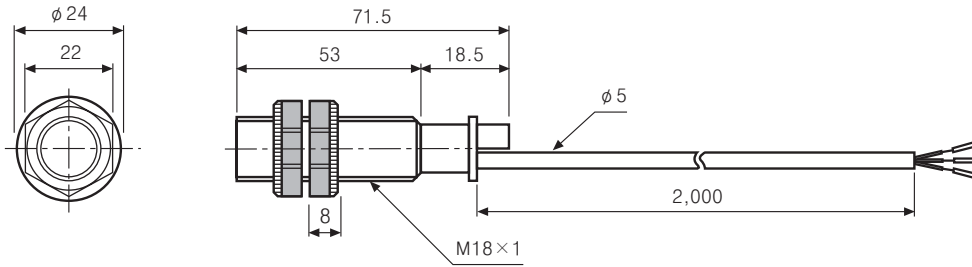
(P) Production stoppage models & replacement

CR Series

Dimensions

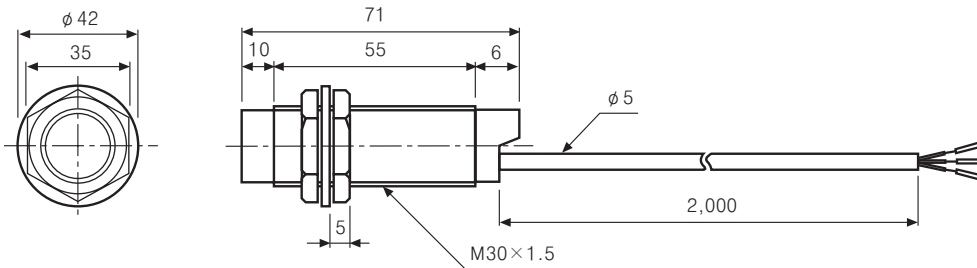
●CR18-8D□

●CR18-8A□



●CR30-15D□

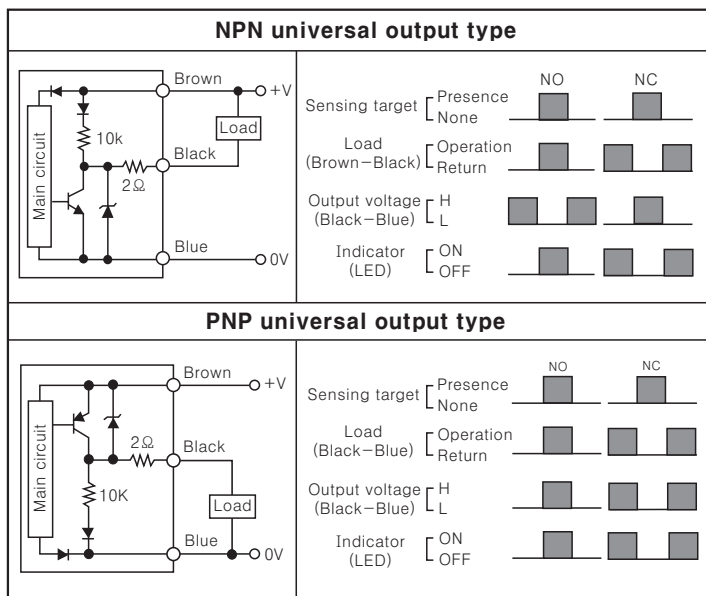
●CR30-15A□



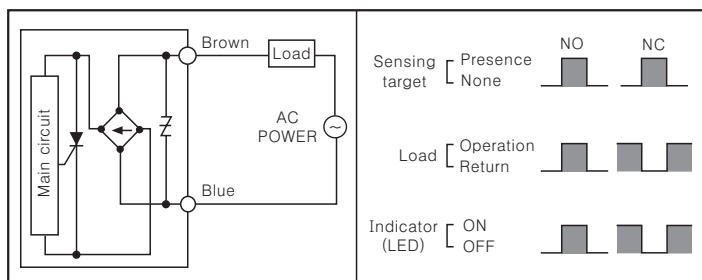
(Unit:mm)

Control output diagram

◎DC 3-wire type

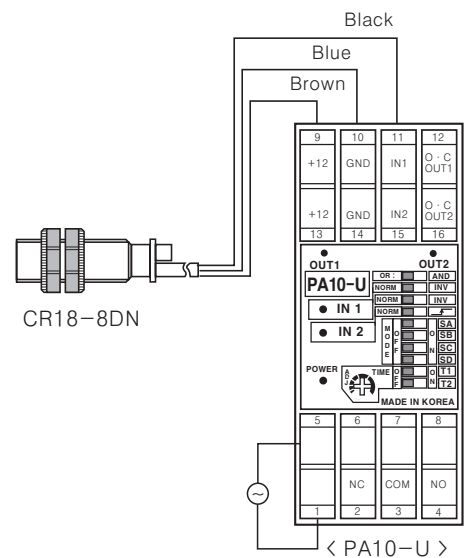


◎AC 2-wire type

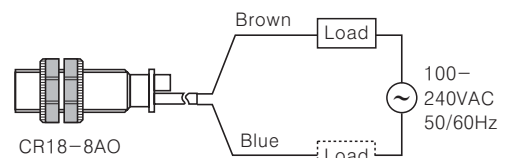


Connections

◎DC 3-wire type



◎AC 2-wire type



※ The load can be connected to either wire.

Electric Capacitive Type

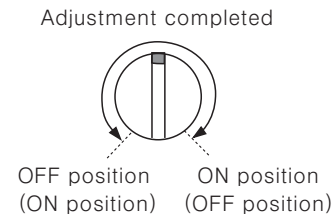
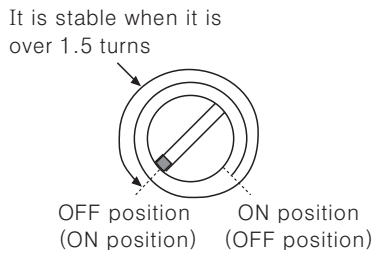
■ Sensitivity adjustment

Please turn potentiometer and set sensitivity as below procedure.

- Without a sensing object, turn the potentiometer to the right and stop at the proximity sensor is ON(OFF).
- Put the object in right sensing position, turn the potentiometer to the left and stop at the proximity sensor is OFF(ON).



- If the difference of the number of potentiometer rotation between the ON(OFF) point and the OFF(ON) point is more than 1.5 turns, the sensing operation will be stable.
- If it is set in sensitivity adjustment position of potentiometer at center between 1 and 2, sensitivity setting will be completed.



- ※ When there is distance fluctuation between proximity sensor and the target, please adjust 2 at the farthest distance from this unit.
- ※ Turning potentiometer toward clockwise, it will be Max. and turning toward counter clockwise, it will be Min. the number of adjustment should be 15 ± 3 revolution and if it is turned to the right or left excessively, it will not stop, but it idles without breakdown.
- ※ () is for Normal Close type.

■ Grounding

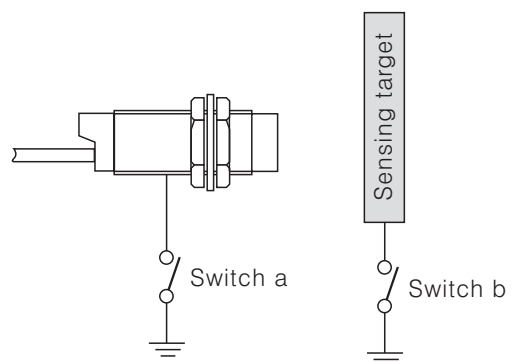
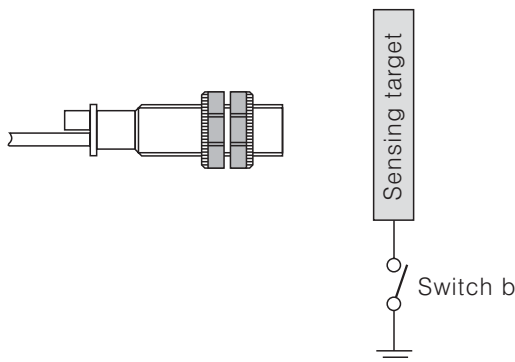
The sensing distance will be changed by grounding status of capacitive proximity sensor and the target [50×50×1mm(Iron)]. Please check the material when installing it on panel.

● CR18 Type

| Ground condition (Switch b) | ON | OFF |
|-----------------------------|----|-----|
| Operating distance (mm) | 8 | 4 |

● CR30 Type

| Ground condition | Switch a | ON | OFF | ON | OFF |
|------------------------|----------|----|-----|-----|-----|
| | Switch b | ON | ON | OFF | OFF |
| Operating distance(mm) | | 15 | 18 | 6 | 6 |



(A) Counter

(B) Timer

(C) Temp. controller

(D) Power controller

(E) Panel meter

(F) Tacho/Speed/Pulse meter

(G) Display unit

(H) Sensor controller

(I) Switching power supply

(J) Proximity sensor

(K) Photo electric sensor

(L) Pressure sensor

(M) Rotary encoder

(N) Stepping motor & Driver & Controller

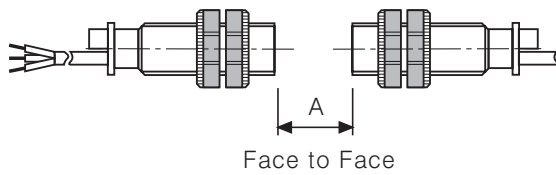
(O) Graphic panel

(P) Production stoppage models & replacement

CR Series

■ Mutual-interference & Influence by surrounding metals

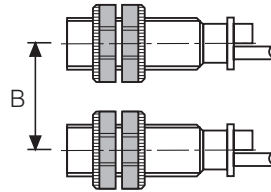
When several proximity sensors are mounted closely, malfunction of sensor may be caused due to mutual interference. Therefore, be sure to provide a minimum distance between the two sensors, as below charts.



Face to Face

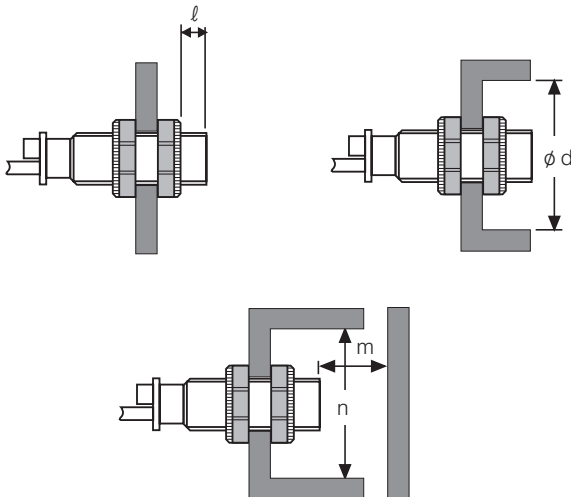
| Model Item | CR18 | CR30 |
|---------------|------|------|
| A | 48 | 90 |
| B | 54 | 90 |

(Unit:mm)



Parallel

When sensors are mounted on metallic panel, you must prevent the sensors from being affected by any metallic object except target. Therefore, provide minimum distance as shown.



| Model Item | CR18 | CR30 |
|---------------|------|------|
| l | 20 | 10 |
| ϕd | 54 | 90 |
| m | 24 | 45 |
| n | 54 | 90 |

(Unit:mm)

■ Materials

○ Materials of sensing targets

Sensing distance may be different by electrical characteristic of sensing target (Conductivity, Non dielectric constant) and status of water absorption, size etc.

○ Effect by high frequency electrical field

It may cause malfunction by machinery which generate high frequency of electrical field such as a washing machine etc.

○ Surrounding environment

There is water or oil on surface of sensing part, it may cause malfunction.

If the bottle for detecting of level is coated by oil etc., it may cause malfunction.

Especially, 15mm type has high sensitivity for induced objects, please be careful of waterdrops.

○ Oil

Do not let the oil or oil liquid is flowed into the sensor, the case is made by plastic.